

## Selectifier Screen DVA Series



The low pulse selectifier screen is ideal to the paper Machine approach flow.

- Manufactured in stainless steel
- Centripetal flow
- Low hydraulic pulse
- Easy operation
- Easy maintenance
- Low power consumption

MODELS	BASKET SIZE
DVA-300	600 X 300 mm
DVA-600	600 X 600 mm
DVA-800	800 X 800 mm
DVA-1000	1000 X 1000 mm
DVA-1200	1200 X 1200 mm

### Basket Types

**Holes:** cylindrical or tapered.

The minimum diameter manufactured by Hergen is 1,8 mm. Consult for basket with smaller diameters.

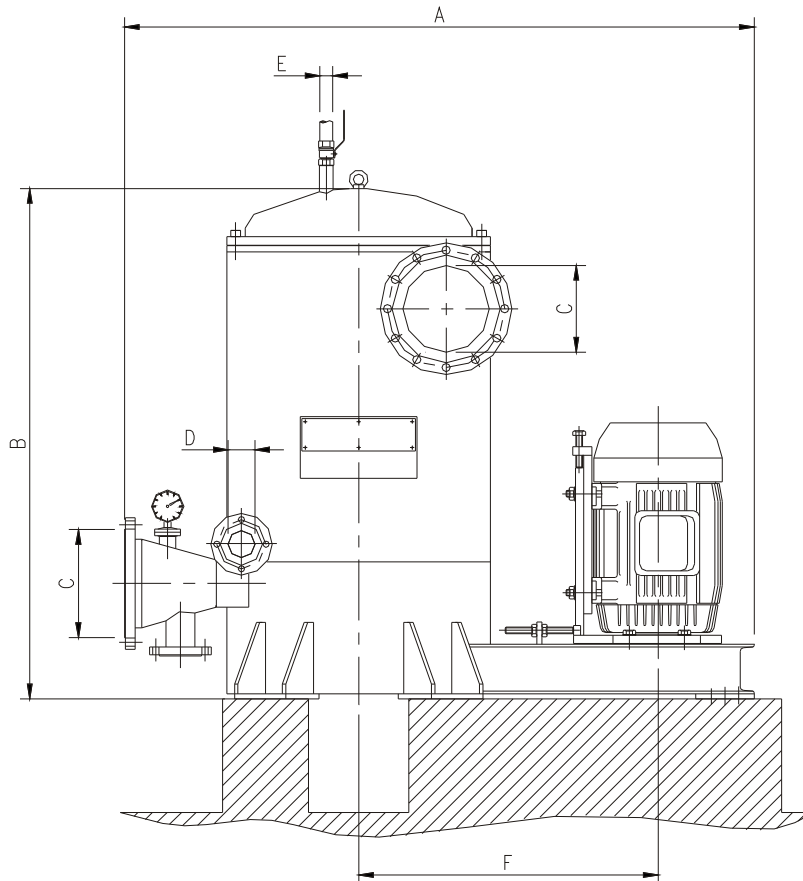
**Slots:** the minimum slot nidth is 0,15 mm. Other slots sizes under consult.

Note: for baskets with slots the flow capacity is usually smaller than the capacities shown on this catalogue.



## Main Dimensions

DVA		300	600	800	1000	1200
A	mm	1850	1850	2470	3080	3700
B	mm	1200	1500	2000	2500	3000
C	mm	ø 200	ø 267	ø 395	ø 457	ø 540
D	mm	ø 88	ø 83	ø 117	ø 140	ø 170
E	Pol	ø 1	ø 1	ø 1.1/4	ø 2	ø 2
F	mm	900	900	1175	1500	1800



## TECHNICAL FEATURES

Model	DVA-300	DVA-600	DVA-800	DVA-1000	DVA-1200
Hydraulic capacity (Ipm)	6000	12000	20000	32000	46000
Maximum consistency (%)	1,2	1,2	1,2	1,2	1,2
Motor rating (kW)	7,5	22	30	45	55
Motor speed (rpm)	1200	1200	1200	900	900
Head loss (mca)	5 - 8	5 - 8	5 - 8	8 - 10	8 - 10

*All data can be changed without any prior notice.*



HERGEN S/A - Máquinas e Equipamentos  
 Av. 7 de Setembro, 251 - Caixa postal 352  
 89160-000 - Rio do Sul - Santa Catarina - Brasil  
 Fone: 55 47 3531 4400 - Fax: 55 47 3531 4411  
 www.hergen.com.br - e-mail: hergen@hergen.com.br