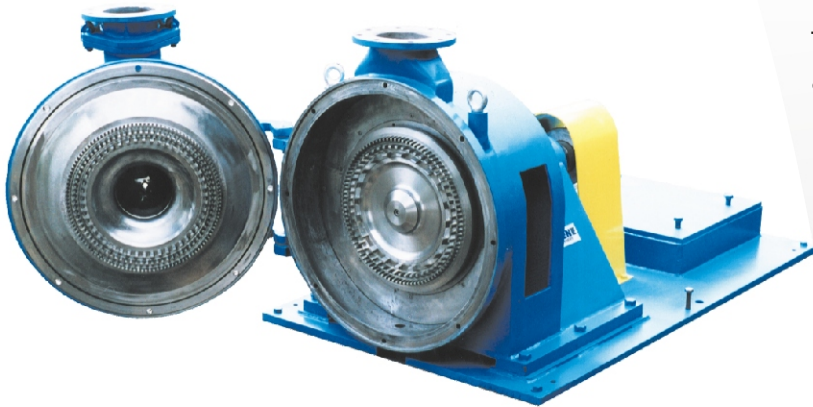


## Deflakers HD Series

The Hergen deflakers are equipments with high operational efficiency for the paper mill stock preparation circuit and its main function is to homogenize the stock and eliminate the flakes previously formed on the pulping process.

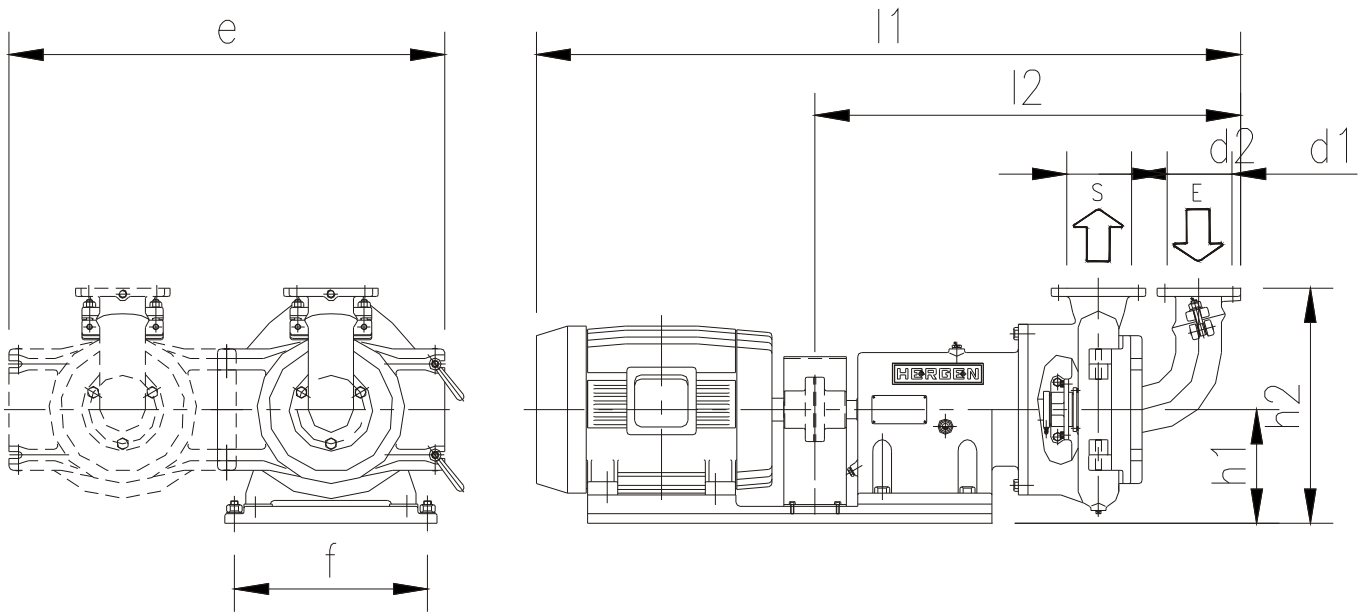
The deflaker disks are stainless steel built and are manufactured with special segments, which allows to deflaking action with a small freeness drop.

- The deflaker base plate is cast iron built and it is designed for the electrical motor installation.
- High capacity bearing housing with oil bath lubrication.
- The deflaker body as well as its hinged door might be both, stainless steel or cast iron built.



## Main Dimensions

MODELOS		HD-1	HD-2
L1	mm	1859	2490
L2	mm	1123	1300
d1	mm	100	200
d2	mm	125	200
f	mm	510	990
e	mm	1150	2230
h1	mm	300	415
h2	mm	620	850



## TECHNICAL DATA

Model	HD-1	HD-2
Throughput (t/d)*	até 50	até 100
Maximum consistency (%)	3 - 5	3 - 5
Motor rating (cv)	75	150
Motor speed (rpm)	3600	1800
Disk quantity	2	2

\* Depending on the raw material and on the operational consistency.

*All data can be changed without any prior notice.*



HERGEN S/A - Máquinas e Equipamentos  
 Av. 7 de Setembro, 251 - Caixa postal 352  
 89160-000 - Rio do Sul - Santa Catarina - Brasil  
 Fone: 55 47 3531 4400 - Fax: 55 47 3531 4411  
 www.hergen.com.br - e-mail: hergen@hergen.com.br